

**INSTRUCTIONS FOR CONVERTING A NATIONAL VENDORS , MODEL 21CE MODULINE,
ELECTRIC CANDY MERCHANDISER, EQUIPPED WITH AN ACER SERIES 2500 TO A
MERCHANDISER EQUIPPED WITH AN ACER SERIES 5250**

**CHECK THE PARTS RECEIVED IN THE KIT WITH THE PARTS LIST
IN THESE INSTRUCTIONS. IF ANY PARTS ARE MISSING, CONTACT
NATIONAL VENDORS' PARTS DEPARTMENT IMMEDIATELY.**

All Coin Electric Register, Series 5250 Coin Changer Conversion Kit, part number 121-0501 or 121-0511, can be used to convert any Model 21CE Moduline, Electric Candy Merchandiser to a Coin Changer equipped unit.

The Conversion Kit, part number 121-0501, is for converting Model 21CE Moduline Merchandisers with Serial Numbers up to and including 21CE-2460 and consists of the following:

Part Number	Description	Quantity
5250-100	ACER Series 5250	1
121-2195	Right End Display Panel Assembly	1
121-2065	Signal Lamp Harness Assembly	1
121-2063	Sold-Out Light Bracket	1
402-2053	Indicator Lamp	1
121-2187	Change Light Harness Assembly	1
222-1049	Wire Clamp	1
9900-091	Screw, No.6-32 x 1/2" RH Slot, Self Tap	2
121-2196	Lower Coin Chute Assembly	1
121-0032	Installation Instructions	1
* * *		

The Conversion Kit, part number 121-0511, is for converting Model 21CE Moduline Merchandisers with Serial Numbers 21CE-2461 and up and consists of the following:

Part Number	Description	Quantity
5250-100	ACER Series 5250	1
121-2190	Instruction Lens	1
121-2145	Push-On Retainer	6
121-2063	Sold-Out Light Bracket	1
402-2053	Indicator Lamp	1
121-2187	Change Light Harness Assembly	1
121-2065	Signal Lamp Harness Assembly	1
222-1049	Wire Clamp	1
9900-091	Screw, No.6-32 x 1/2" RH Slot, Self Tap	2
121-2171	Label - "Your Change Below"	1
121-2196	Lower Coin Chute Assembly	1
121-0032	Installation Instructions	1
* * *		

NOTE

Retain this instruction sheet for Part Number Information and Wiring Diagram of ACER Series 5250.

TO INSTALL THE KIT:

1. Disconnect the Machine Service Cord from the wall receptacle.
2. Remove the ACER Series 2500 from the Cabinet Door.
3. Remove the Slug Rejector from the Coin Unit.
4. Remove the Display Case Compartments from the Display Frame.
5. Remove the Lower Coin Chute Assembly, Mounting Bracket, and Spacer from the Cabinet Door. Temporarily replace the nut on the T-bolt.
6. Remove the center and lower fluorescent bulbs from their fixtures.
7. Disconnect the Center and Lower Fluorescent Bulb Assembly Plugs from the Cabinet Door Harness.
8. Disconnect the Sold-Out Lamp Bracket, Bulb, and Socket from the Display Frame Assembly.
9. Remove the 6-wing nuts that attach the Display Frame Assembly to the Cabinet Door.
10. Remove the Display Frame Assembly from the Cabinet Door.

NOTE

1. *If the Merchandiser being converted has a serial Number through 21CE-2460 follow steps 11 through 14 and 19 through 42 only.*
2. *If the Merchandiser being converted has a Serial Number 21CE-2461 and up, skip to and follow steps 15 through 42 only.*

Printed in U.S.A.

11. Remove the Right End Display Panel Assembly from the Display Frame by:
 - a. Removing the three No.8-32 x 5/16" screws that attach the Display Top Plate and the Top Horizontal Spacer.
 - b. Removing the two No.8-32 x 5/16" screws that attach the Inventory Card Spring Clip and Second Horizontal Spacer.
 - c. Removing the two No.8-32 x 5/16" screws that attach the Third Horizontal Spacer.
 - d. Removing the two No.8-32 x 5/16" screws that attach the Lower Horizontal Spacer.
 - e. Removing the two No.8-32 x 5/16" screws that attach the top of the Coin Unit Latch and the Center Lamp Harness Assembly.
 - f. Removing the two No.8-32 x 5/16" screws that attach the bottom of the Coin Unit Latch and Lower Lamp Harness Assembly.
 - g. Straightening the two tabs on the Upper Display Shield.
 - h. Straightening the two tabs on the Center Display Shield.
 - i. Straightening the two tabs on the Lower Display Shield.

The Right End Display Panel can now be removed from the Display Frame.

12. Remove the three Display Pivot Studs and the No.8-32 nuts with lockwashers from the panel.
13. Install the three Display Pivot Studs and nuts on the new Right End Display Panel Assembly, part number 121-2195.
14. Attach the new Right End Display Panel Assembly to the partially assembled Display Frame by reversing the procedures in step 11.

NOTE

If you have followed steps 1 through 14 skip to and follow steps 19 through 42 only.

15. Peel the "No Change Returned" tag from the Instruction Plate on the Right End Display Panel of the Display Frame Assembly.
16. Remove the white-on-blue "Insert Exact Amount" Lens, from the Panel.

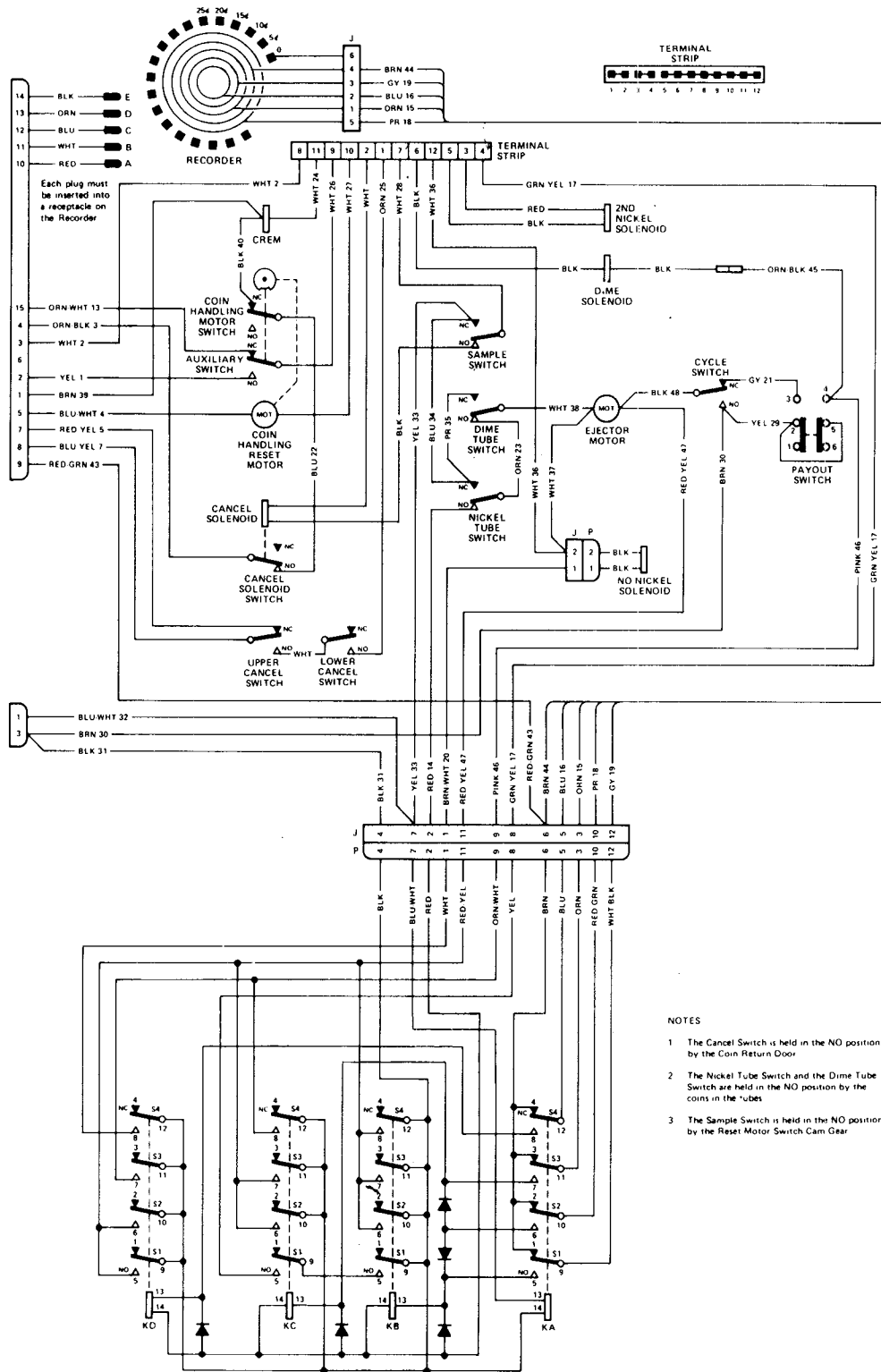
17. Install the new opaque "Insert Exact Amount" Lens, part number 121-2190, on the Panel.
18. Fasten the Lens with four Push-On Retainers, part number 121-2145. The cupped side of the retainer goes toward the Lens.
19. Remove the Harness Clamp that holds the Cabinet Door Harness to the Coin Insert Chute Assembly at the Auxiliary Connector R-13. This is a clip-on type Harness Clamp.
20. Plug connector P-13 on the new Change Light Harness Assembly, part number 121-2187, into R-13 on the Cabinet Door Harness.
21. Remove the middle screw from the Coin Insert Chute Assembly.
22. Attach the long branch of the new Harness to the Coin Insert Chute with the new Wire Clamp, part Number 222-1049. Use the new No.6-32 x 1/2" screw, part number 9900-091 in the hole from which the screw was removed in step 21, to attach the Wire Clamp to the Coin Insert Chute. The connector that is the termination for both branches of the Harness is to be placed toward the top of the Cabinet Door above the Wire Clamp.
23. Loosen the metal Wire Clip that holds the Door Harness to the Cabinet Door. The Wire Clip is located just below connector R-13. Place the long branch of the new Harness under the Wire Clip. A minimum of ten inches of harness extension, measured from the bottom side of the Wire Clip to the end of the connector, must be maintained. Tighten the Wire Clip to hold both harnesses to the Cabinet Door.
24. Remove the outside screw from the Coin Return Receptacle and the nut T-Bolt that held the original Coin Chute to the Cabinet Door.
25. Install the Lower Coin Chute Assembly, part number 121-2196, to the Cabinet Door, clipping the stop under the lip on the Cabinet Door, attaching the Bracket with the Lower Tab to the Coin Return Receptacle with the screw removed in step 24.
26. Replace the Display Frame Assembly on the Cabinet Door.
27. Replace the 6 wing nuts.
28. Replace the center and lower fluorescent bulbs.
29. Connect the 2 Fluorescent Lamp Assembly Plugs.

30. Replace the Sold-Out Lamp Bracket, Bulb, and Socket on the Display Frame.
31. Attach the Insert Exact Amount Light Bracket, part number 121-2063, to the Display Frame.
32. Plug the Signal Lamp Assembly part number 121-2065, into the connector on the Change Light Harness, part Number 121-2187.
33. Screw Indicator Lamp, part number 402-2053, into the socket of Signal Lamp Assembly; 121-2065, and insert both into the Sold-Out Light Bracket, 121-2063.
34. Install the Display Case Compartments into the Display Frame.
35. Install the Slug Rejector into ACER Series 5250 Coin Unit.
36. Install the Coin Mechanism on the Cabinet Door and attach the Change Light Harness Plug and Coin Mechanism Plug to the receptacle on the Coin Mechanism.
37. Set the Coin Mechanism to vend at the desired prices.
38. Load the Coin Mechanism Coin Tubes.
29. Set the Merchandiser Price Setting Board.
40. Swing Coin Mechanism into position and latch securely.
41. Close the Cabinet Door and connect the Machine Service Cord to the wall receptacle.
42. Test vend the Merchandiser.

NOTE

The ACER, Series 5250 Coin Mechanism is directly interchangeable with the ACER 5230 and 5230A Coin Mechanism.

5250 Acer Coin Mechanism Wiring Diagram



ACER Series 5250 Coin Mechanism Wiring Diagram